

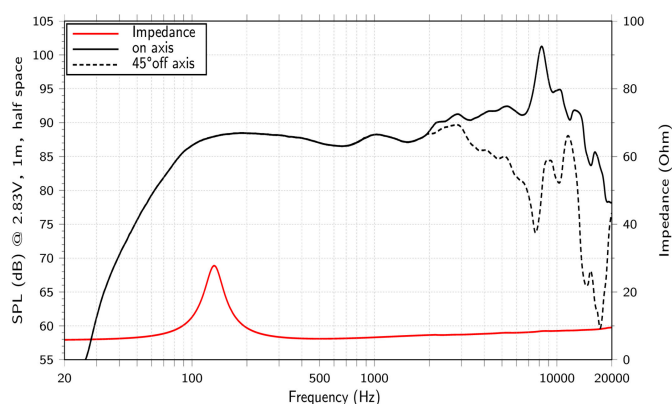
# FSF041.00

Lavoce

## 4" FULLRANGE

FERRITE MAGNET  
STEEL BASKET DRIVER

- 1 INCH CCAW VOICE COIL
- 89 dB/SPL SENSITIVITY
- 80 WATT PROGRAM POWER HANDLING
- FEM OPTIMIZED MOTOR AND SUSPENSIONS
- COPPER RING FOR EXTENDED FREQUENCY RESPONSE
- RESONANCE FREE AND HEAVY DUTY STEEL BASKET DESIGN
- RUBBER SURROUND MATERIAL
- DESIGNED TO MEET IP55 REQUIREMENTS (WHEN INSTALLED AS SPECIFIED)



### GENERAL SPECIFICATIONS

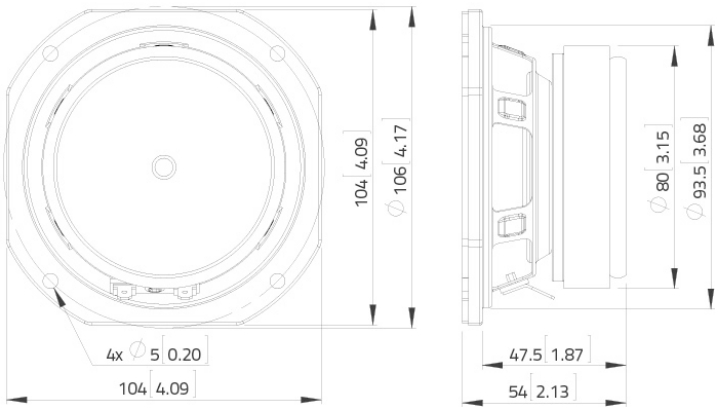
Nominal Diameter	<b>100 mm (4 in)</b>
Nominal Impedance	<b>8 ohm</b>
Minimum Impedance	<b>6.2 ohm</b>
Program Power	<b>80 W</b> Program power is defined as 3 dB greater than AES Power.
AES Power Rating	<b>40 W</b> Tested for two hours using a continuous, band-limited pink noise signal as per AES 2-1984 Rev. 2003. Loudspeaker tested in free air.
Sensitivity	<b>89 dB</b> From T/S parameters, measured with Klippel DA LPM module.
Frequency Range	<b>110 ÷ 18000 Hz</b>
Voice Coil Diameter	<b>25 mm (1 in)</b>
Chassis Material	<b>STEEL</b>
Magnet Material	<b>FERRITE</b>
Magnet Dimensions OD x ID x h	<b>80 x 32 x 15 mm (3.15 x 1.26 x 0.59 in)</b>
Coil Material	<b>CCA W</b>
Former Material	<b>POLYIMIDE</b>
Cone Material	<b>WATER PROOF TREATED PAPER</b>
Surround Material	<b>RUBBER</b>
Xmax	<b>2.2 mm (0.09 in)</b> The Xmax is calculated as: $(Hvc - Hg)/2 + Hg/4$ . Hvc is the voice coil height and Hg the gap height.
Xmech	<b>3.2 mm (0.13 in)</b> The Xmech is calculated as: $(Hvc - Hg)/2 + (Hg-2)$ . Hvc is the voice coil height and Hg the gap height.
Gap Height	<b>4 mm (0.16 in)</b>
Voice Coil Winding Height	<b>6.4 mm (0.25 in)</b>
Driver Displacement Volume	<b>0.18 l (0.006 ft³)</b>
Recommended Enclosure	<b>2.81 l (0.099 ft³)</b>
Recommended Tuning Sealed	<b>Sealed</b>

### SMALL SIGNAL PARAMETERS

Thiele-Small parameters are measured after preconditioning: a) at 20°C- 22°C, 50% humidity for 2 hours; b) by Klippel LSI measurement.

DC Resistance (Re)	5.8 ohm
Diaphragm Area (Sd)	56 cm <sup>2</sup> (8.68 in <sup>2</sup> )
Resonance Frequency (Fs)	132 Hz
Moving Mass (Mms)	4.1 g (0.145 oz)
Compliance (Cms)	0.355 mm/N
Force Factor (BxL)	4.27 N/A
Mechanical Q-Factor (Qms)	4.09
Electrical Q-Factor (Qes)	1.07
Total Q-Factor (Qts)	0.85
Equivalent Air Volume (Vas)	1.57 l (0.055 ft <sup>3</sup> )
Voice Coil Inductance (Le)	0.05 mH
Reference Efficiency (Eta 0)	0.33 %
Efficiency Bandwidth Product (EBP)	123 Hz

## DIMENSIONS



## SHIPPING INFORMATION

Net Weight	0.72 kg (1.587 lb)
Multipack Quantity	18
Multipack size W x D x H	362 mm x 355 mm x 180 mm (14.3 in x 14 in x 7.1 in)
Multipack Weight	15.6 kg (34.39 lb)

