

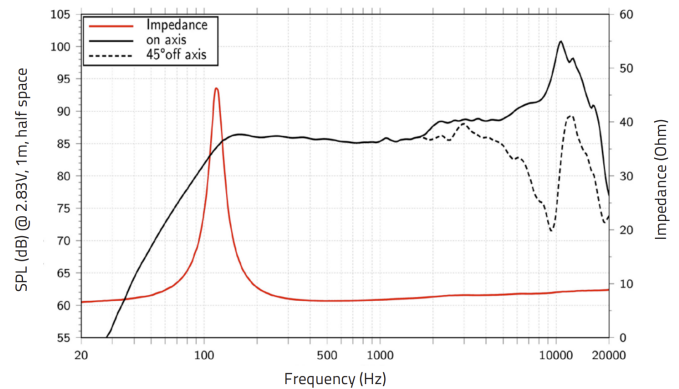
FSF030.70

Lavoce

3" FULLRANGE

FERRITE MAGNET
STEEL BASKET DRIVER

- 0.75 INCH CCAW VOICE COIL
- 86,5 dB/SPL SENSITIVITY
- 60 WATT PROGRAM POWER HANDLING
- FEM OPTIMIZED MOTOR AND SUSPENSIONS
- COPPER RING FOR EXTENDED FREQUENCY RESPONSE
- RESONANCE FREE AND HEAVY DUTY STEEL BASKET DESIGN
- RUBBER SURROUND MATERIAL



GENERAL SPECIFICATIONS

Nominal Diameter	70 mm (3 in)
Nominal Impedance	8 ohm
Minimum Impedance	7 ohm
Program Power	60 W Program power is defined as 3 dB greater than AES Power.
AES Power Rating	30 W Tested for two hours using a continuous, band-limited pink noise signal as per AES 2-1984 Rev. 2003. Loudspeaker tested in free air.
Sensitivity	86.5 dB From T/S parameters, measured with Klippel DA LPM module.
Frequency Range	120 ÷ 21000 Hz
Voice Coil Diameter	20 mm (0.75 in)
Chassis Material	STEEL
Magnet Material	FERRITE
Magnet Dimensions OD x ID x h	70 x 32 x 15 mm (2.76 x 1.26 x 0.59 in)
Coil Material	CCA W
Former Material	GLASS FIBER
Cone Material	WATER RESISTANT TREATED PAPER
Surround Material	RUBBER
Xmax	2.1 mm (0.08 in) The Xmax is calculated as: $(Hvc - Hg)/2 + Hg/4$. Hvc is the voice coil height and Hg the gap height.
Xmech	3.1 mm (0.12 in) The Xmech is calculated as: $(Hvc - Hg)/2 + (Hg-2)$. Hvc is the voice coil height and Hg the gap height.
Gap Height	4 mm (0.16 in)
Voice Coil Winding Height	6.2 mm (0.24 in)
Driver Displacement Volume	0.13 l (0.005 ft³)
Recommended Enclosure	1.96 l (0.069 ft³)

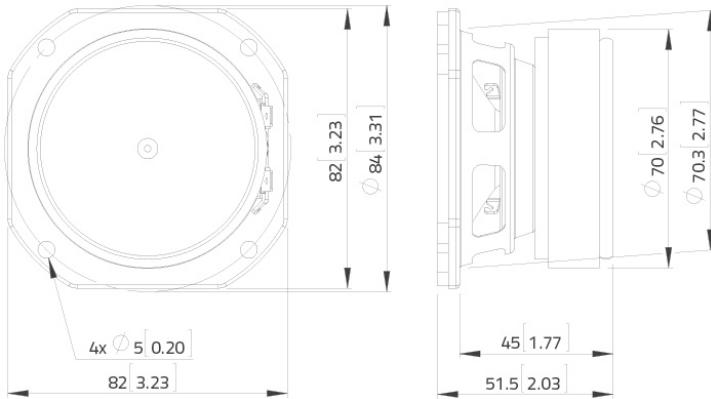
SMALL SIGNAL PARAMETERS

Thiele-Small parameters are measured after preconditioning: a) at 20°C- 22°C, 50% humidity for 2 hours; b) by Klippel LSI measurement.

DC Resistance (Re)	6.3 ohm
Diaphragm Area (Sd)	33 cm² (5.115 in²)

Resonance Frequency (Fs)	123 Hz
Moving Mass (Mms)	2.2 g (0.078 oz)
Compliance (Cms)	0.76 mm/N
Force Factor (BxL)	3.47 N/A
Mechanical Q-Factor (Qms)	5.87
Electrical Q-Factor (Qes)	0.89
Total Q-Factor (Qts)	0.77
Equivalent Air Volume (Vas)	1.17 l (0.041 ft³)
Voice Coil Inductance (Le)	0.06 mH
Reference Efficiency (Eta 0)	0.23 %
Efficiency Bandwidth Product (EBP)	138 Hz

DIMENSIONS



SHIPPING INFORMATION

Net Weight	0.5 kg (1.102 lb)
Multipack Quantity	20
Multipack size W x D x H	592 mm x 243 mm x 183 mm (23.3 in x 9.6 in x 7.2 in)
Multipack Weight	11.2 kg (24.69 lb)

