

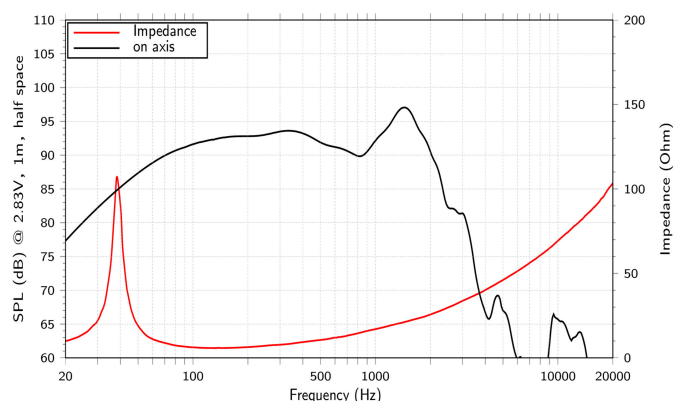
SAF184.02

Lavoce

18" SUBWOOFER

FERRITE MAGNET
ALUMINIUM BASKET DRIVER

- 4 INCH COPPER VOICE COIL
- 96,5 dB/SPL SENSITIVITY
- 2400 WATT PROGRAM POWER HANDLING
- FEM OPTIMIZED MOTOR AND SUSPENSIONS
- OPTIMIZED COOLING SYSTEM
- ALUMINIUM DEMODULATING RING
- DOUBLE SILICON SPIDER
- TRIPLE ROLL SURROUND



GENERAL SPECIFICATIONS

Nominal Diameter	460 mm (18 in)
Nominal Impedance	8 ohm
Minimum Impedance	5.8 ohm
Program Power	2400 W Program power is defined as 3 dB greater than AES Power.
AES Power Rating	1200 W Tested for two hours using a continuous, band-limited pink noise signal as per AES 2-1984 Rev. 2003. Loudspeaker tested in free air.
Sensitivity	96.5 dB From T/S parameters, measured with Klippel DA LPM module.
Frequency Range	40 ÷ 1000 Hz
Voice Coil Diameter	100 mm (4 in)
Chassis Material	ALUMINIUM
Magnet Material	FERRITE
Magnet Dimensions OD x ID x h	220 x 120 x 25 mm (8.66 x 4.72 x 0.98 in)
Coil Material	COPPER
Former Material	GLASS FIBER
Cone Material	WATER RESISTANT TREATED PAPER + WATER PROOF FRONT SIDES TREATMENT
Surround Material	POLYCOTTON
Xmax	8.4 mm (0.33 in) The Xmax is calculated as: $(Hvc - Hg)/2 + Hg/4$. Hvc is the voice coil height and Hg the gap height.
Xmech	15.4 mm (0.61 in) The Xmech is calculated as: $(Hvc - Hg)/2 + (Hg-2)$. Hvc is the voice coil height and Hg the gap height.
Gap Height	12 mm (0.47 in)
Voice Coil Winding Height	22.7 mm (0.89 in)
Driver Displacement Volume	8.5 l (0.3 ft³)
Recommended Enclosure	160 l (5.65 ft³)
Recommended Tuning	38 Hz

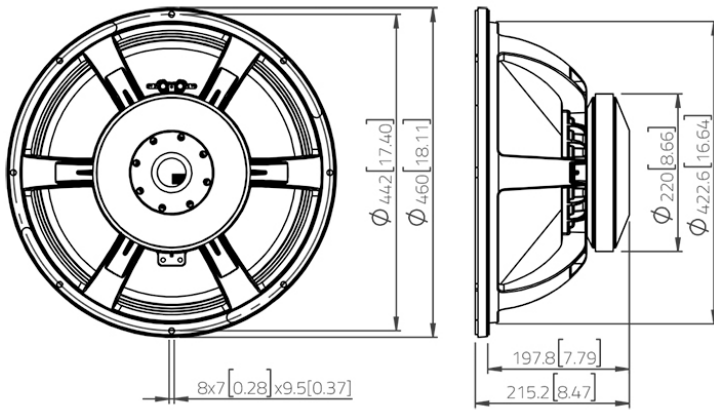
SMALL SIGNAL PARAMETERS

Thiele-Small parameters are measured after preconditioning: a) at 20°C- 22°C, 50% humidity for 2 hours; b) by Klippel LSI measurement.

DC Resistance (Re)	4.9 ohm
Diaphragm Area (Sd)	1150 cm² (178.25 in²)

Resonance Frequency (Fs)	38 Hz
Moving Mass (Mms)	239.2 g (8.438 oz)
Compliance (Cms)	0.072 mm/N
Force Factor (BxL)	25.5 N/A
Mechanical Q-Factor (Qms)	6.48
Electrical Q-Factor (Qes)	0.43
Total Q-Factor (Qts)	0.41
Equivalent Air Volume (Vas)	136.63 l (4.825 ft³)
Voice Coil Inductance (Le)	1.69 mH
Reference Efficiency (Eta 0)	1.68 %
Efficiency Bandwidth Product (EBP)	88 Hz

DIMENSIONS



SHIPPING INFORMATION

Net Weight	13.5 kg (29.762 lb)
Multipack Quantity	1
Multipack size W x D x H	478 mm x 478 mm x 270 mm (18.8 in x 18.8 in x 10.6 in)
Multipack Weight	15.5 kg (34.17 lb)

REPAIR KITS

LF Repair Kit	VRK10183
---------------	----------

