

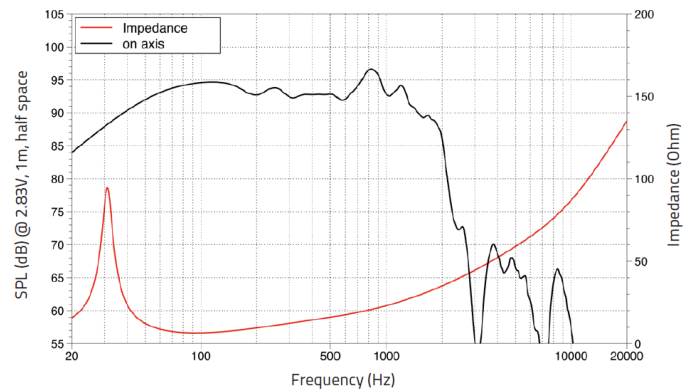
SAF214.50

Lavoce

21" SUBWOOFER

FERRITE MAGNET
ALUMINIUM BASKET DRIVER

- 4.5 INCH COPPER VOICE COIL
- 96 dB/SPL SENSITIVITY
- 4000 WATT PROGRAM POWER HANDLING
- FEM OPTIMIZED MOTOR AND SUSPENSION
- 43.6 mm (1.7 INCH) PEAK TO PEAK MAXIMUM EXCURSION
- OPTIMIZED COOLING SYSTEM
- DOUBLE SILICON SPIDER
- TRIPLE ROLL SURROUND



GENERAL SPECIFICATIONS

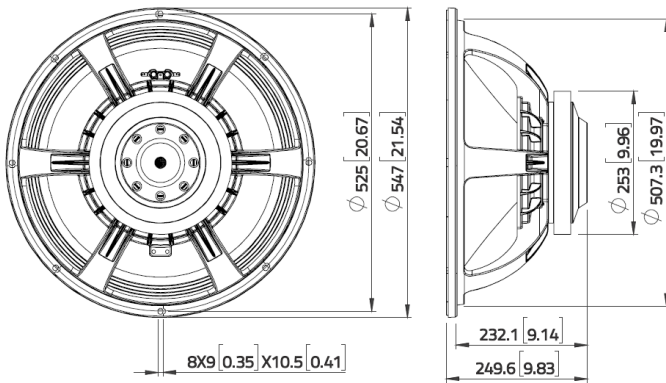
Nominal Diameter	530 mm (21 in)
Nominal Impedance	8 ohm
Minimum Impedance	6.8 ohm
Program Power	4000 W Program power is defined as 3 dB greater than AES Power.
AES Power Rating	2000 W Tested for two hours using a continuous, band-limited pink noise signal as per AES 2-1984 Rev. 2003. Loudspeaker tested in free air.
Sensitivity	96 dB From T/S parameters, measured with Klippel DA LPM module.
Frequency Range	30 ÷ 1000 Hz
Voice Coil Diameter	115 mm (4.5 in)
Chassis Material	ALUMINIUM
Magnet Material	FERRITE
Magnet Dimensions OD x ID x h	253 x 127 x 30 mm (9.96 x 5 x 1.18 in)
Coil Material	COPPER
Former Material	GLASS FIBER
Cone Material	WATER RESISTANT TREATED PAPER + WATER PROOF FRONT SIDES TREATMENT
Surround Material	POLYCOTTON
Xmax	12.5 mm (0.49 in) The Xmax is calculated as: $(Hvc - Hg)/2 + Hg/4$. Hvc is the voice coil height and Hg the gap height.
Xmech	21.8 mm (0.86 in) The Xmech is calculated as: $(Hvc - Hg)/2 + (Hg-2)$. Hvc is the voice coil height and Hg the gap height.
Gap Height	15 mm (0.59 in)
Voice Coil Winding Height	32.5 mm (1.28 in)
Driver Displacement Volume	11.85 l (0.418 ft³)
Recommended Enclosure	299 l (10.559 ft³)
Recommended Tuning	33 Hz

SMALL SIGNAL PARAMETERS

Thiele-Small parameters are measured after preconditioning: a) at 20°C- 22°C, 50% humidity for 2 hours; b) by Klippel LSI measurement.

DC Resistance (Re)	5.5 ohm
Diaphragm Area (Sd)	1690 cm ² (261.95 in ²)
Resonance Frequency (Fs)	32 Hz
Moving Mass (Mms)	397.88 g (14.035 oz)
Compliance (Cms)	0.061 mm/N
Force Factor (BxL)	30.21 N/A
Mechanical Q-Factor (Qms)	5.16
Electrical Q-Factor (Qes)	0.48
Total Q-Factor (Qts)	0.44
Equivalent Air Volume (Vas)	250.6 l (8.85 ft ³)
Voice Coil Inductance (Le)	2.67 mH
Reference Efficiency (Eta 0)	1.65 %
Efficiency Bandwidth Product (EBP)	67 Hz

DIMENSIONS



SHIPPING INFORMATION

Net Weight	17.8 kg (39.242 lb)
Multipack Quantity	1
Multipack size W x D x H	575 mm x 575 mm x 292 mm (22.6 in x 22.6 in x 11.5 in)
Multipack Weight	21.1 kg (46.52 lb)

REPAIR KITS

LF Repair Kit	VRK10212
---------------	----------

