

# WAF082.00

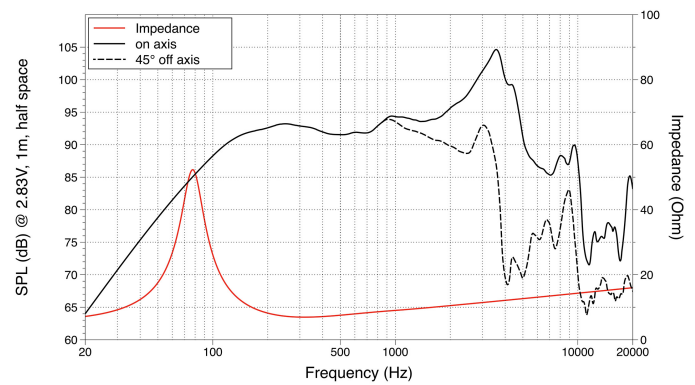
Lavoce

## 8" WOOFER

FERRITE MAGNET  
ALUMINUM BASKET DRIVER



- 2 INCH CCAW VOICE COIL
- 95 dB/SPL SENSITIVITY
- 400 WATT PROGRAM POWER HANDLING
- FEM OPTIMIZED MOTOR AND SUSPENSIONS
- OPTIMIZED COOLING SYSTEM
- COPPER RING FOR EXTENDED FREQUENCY RESPONSE



### GENERAL SPECIFICATIONS

Nominal Diameter	<b>200 mm (8 in)</b>
Nominal Impedance	<b>8 ohm</b>
Minimum Impedance	<b>7 ohm</b>
Program Power	<b>400 W</b> Program power is defined as 3 dB greater than AES Power.
AES Power Rating	<b>200 W</b> Tested for two hours using a continuous, band-limited pink noise signal as per AES 2-1984 Rev. 2003. Loudspeaker tested in free air.
Sensitivity	<b>95 dB</b> From T/S parameters, measured with Klippel DA LPM module.
Frequency Range	<b>80 ÷ 3000 Hz</b>
Voice Coil Diameter	<b>51 mm (2 in)</b>
Chassis Material	<b>ALUMINIUM</b>
Magnet Material	<b>FERRITE</b>
Magnet Dimensions OD x ID x h	<b>145 x 70 x 22 mm (5.71 x 2.76 x 0.87 in)</b>
Coil Material	<b>CCA W</b>
Former Material	<b>GLASS FIBER</b>
Cone Material	<b>WATER RESISTANT TREATED PAPER</b>
Surround Material	<b>POLYCOTTON</b>
Xmax	<b>6.3 mm (0.25 in)</b> The Xmax is calculated as: $(Hvc - Hg)/2 + Hg/4$ . Hvc is the voice coil height and Hg the gap height.
Xmech	<b>10.5 mm (0.41 in)</b> The Xmech is calculated as: $(Hvc - Hg)/2 + (Hg-2)$ . Hvc is the voice coil height and Hg the gap height.
Gap Height	<b>8.2 mm (0.32 in)</b>
Voice Coil Winding Height	<b>16.8 mm (0.66 in)</b>
Driver Displacement Volume	<b>1 l (0.035 ft³)</b>
Recommended Enclosure	<b>19.84 l (0.701 ft³)</b>
Recommended Tuning	<b>80 Hz</b>

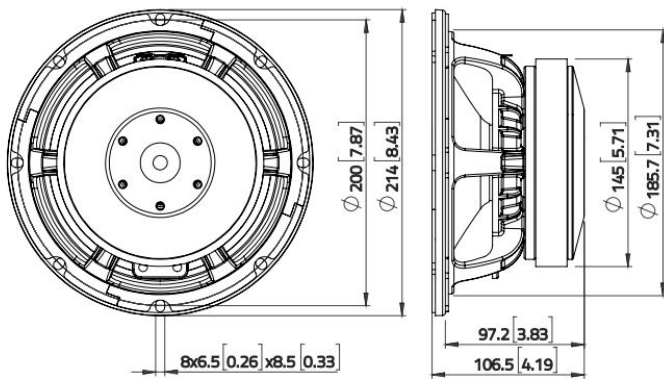
### SMALL SIGNAL PARAMETERS

Thiele-Small parameters are measured after preconditioning: a) at 20°C- 22°C, 50% humidity for 2 hours; b) by Klippel LSI measurement.

DC Resistance (Re)	<b>5.5 ohm</b>
--------------------	----------------

Diaphragm Area (Sd)	220 cm <sup>2</sup> (34.1 in <sup>2</sup> )
Resonance Frequency (Fs)	78 Hz
Moving Mass (Mms)	23.6 g (0.832 oz)
Compliance (Cms)	0.174 mm/N
Force Factor (BxL)	12.51 N/A
Mechanical Q-Factor (Qms)	3.66
Electrical Q-Factor (Qes)	0.41
Total Q-Factor (Qts)	0.37
Equivalent Air Volume (Vas)	11.92 l (0.421 ft <sup>3</sup> )
Voice Coil Inductance (Le)	0.185 mH
Reference Efficiency (Eta 0)	0.0136 %
Efficiency Bandwidth Product (EBP)	190 Hz

## DIMENSIONS



## SHIPPING INFORMATION

Net Weight	4 kg (8.818 lb)
Multipack Quantity	1
Multipack size W x D x H	265 mm x 265 mm x 140 mm (10.4 in x 10.4 in x 5.5 in)
Multipack Weight	4.6 kg (10.14 lb)

## REPAIR KITS

LF Repair Kit	VRK10080
---------------	----------

