

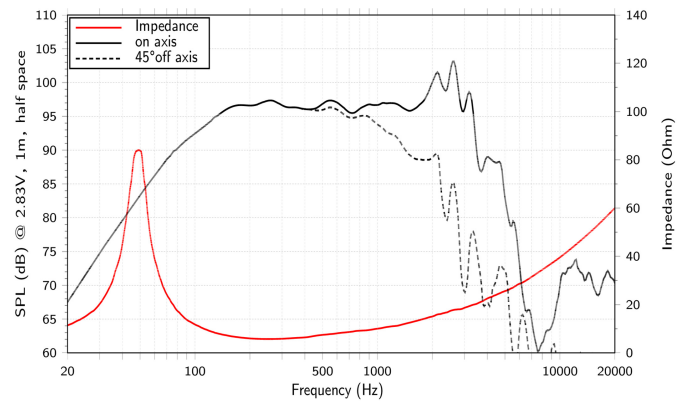
WAF123.00

Lavoce

12" WOOFER

FERRITE MAGNET
ALUMINIUM BASKET DRIVER

- 3 INCH CCAW VOICE COIL
- 99 dB/SPL SENSITIVITY
- 1000 WATT PROGRAM POWER HANDLING
- FEM OPTIMIZED MOTOR AND SUSPENSIONS
- OPTIMIZED COOLING SYSTEM
- ALTERNATIVE IMPEDANCE: 4 OHM



GENERAL SPECIFICATIONS

Nominal Diameter	300 mm (12 in)
Nominal Impedance	8 ohm
Minimum Impedance	6.5 ohm
Program Power	1000 W Program power is defined as 3 dB greater than AES Power.
AES Power Rating	500 W Tested for two hours using a continuous, band-limited pink noise signal as per AES 2-1984 Rev. 2003. Loudspeaker tested in free air.
Sensitivity	99 dB From T/S parameters, measured with Klippel DA LPM module.
Frequency Range	50 ÷ 3000 Hz
Voice Coil Diameter	75 mm (3 in)
Chassis Material	ALUMINIUM
Magnet Material	FERRITE
Magnet Dimensions OD x ID x h	190 x 95 x 25 mm (7.48 x 3.74 x 0.98 in)
Coil Material	CCA W
Former Material	GLASS FIBER
Cone Material	WATER RESISTANT TREATED PAPER + WATER PROOF FRONT SIDES TREATMENT
Surround Material	POLYCOTTON
Xmax	7 mm (0.28 in) The Xmax is calculated as: $(Hvc - Hg)/2 + Hg/4$. Hvc is the voice coil height and Hg the gap height.
Xmech	12.5 mm (0.49 in) The Xmech is calculated as: $(Hvc - Hg)/2 + (Hg-2)$. Hvc is the voice coil height and Hg the gap height.
Gap Height	10 mm (0.39 in)
Voice Coil Winding Height	19 mm (0.75 in)
Driver Displacement Volume	2.8 l (0.099 ft³)
Recommended Enclosure	70.8 l (2.5 ft³)
Recommended Tuning	55 Hz

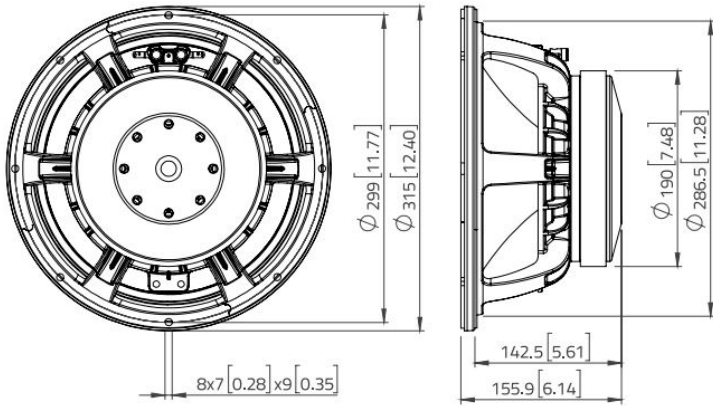
SMALL SIGNAL PARAMETERS

Thiele-Small parameters are measured after preconditioning: a) at 20°C- 22°C, 50% humidity for 2 hours; b) by Klippel LSI measurement.

DC Resistance (Re)	4.7 ohm
Diaphragm Area (Sd)	531 cm² (82.305 in²)

Resonance Frequency (Fs)	50 Hz
Moving Mass (Mms)	61.8 g (2.18 oz)
Compliance (Cms)	0.16 mm/N
Force Factor (BxL)	18.08 N/A
Mechanical Q-Factor (Qms)	4.93
Electrical Q-Factor (Qes)	0.28
Total Q-Factor (Qts)	0.26
Equivalent Air Volume (Vas)	65.04 l (2.297 ft³)
Voice Coil Inductance (Le)	0.82 mH
Reference Efficiency (Eta 0)	2.82 %
Efficiency Bandwidth Product (EBP)	179 Hz

DIMENSIONS



SHIPPING INFORMATION

Net Weight	8.7 kg (19.18 lb)
Multipack Quantity	1
Multipack size W x D x H	340 mm x 340 mm x 230 mm (13.4 in x 13.4 in x 9.1 in)
Multipack Weight	9.8 kg (21.61 lb)

REPAIR KITS

LF Repair Kit	VRK10120
---------------	----------

