

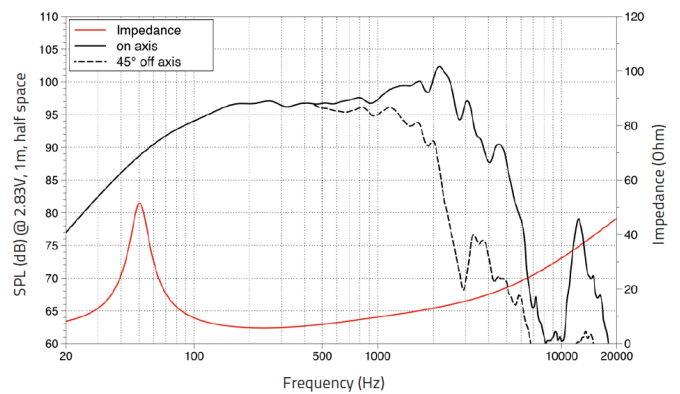
# WSF122.02

Lavoce

## 12" WOOFER

FERRITE MAGNET  
STEEL BASKET DRIVER

- 2 INCH COPPER VOICE COIL
- 98 dB/SPL SENSITIVITY
- 400 WATT PROGRAM POWER HANDLING
- FEM OPTIMIZED MOTOR AND SUSPENSIONS
- RESONANCE FREE AND HEAVY DUTY BASKET DESIGN



### GENERAL SPECIFICATIONS

Nominal Diameter	<b>300 mm (12 in)</b>
Nominal Impedance	<b>8 ohm</b>
Minimum Impedance	<b>6 ohm</b>
Program Power	<b>400 W</b> Program power is defined as 3 dB greater than AES Power.
AES Power Rating	<b>200 W</b> Tested for two hours using a continuous, band-limited pink noise signal as per AES 2-1984 Rev. 2003. Loudspeaker tested in free air.
Sensitivity	<b>98 dB</b> From T/S parameters, measured with Klippel DA LPM module.
Frequency Range	<b>50 ÷ 3000 Hz</b>
Voice Coil Diameter	<b>51 mm (2 in)</b>
Chassis Material	<b>STEEL</b>
Magnet Material	<b>FERRITE</b>
Magnet Dimensions OD x ID x h	<b>140 x 60 x 17 mm (5.51 x 2.36 x 0.67 in)</b>
Coil Material	<b>COPPER</b>
Former Material	<b>GLASS FIBER</b>
Cone Material	<b>WATER RESISTANT TREATED PAPER</b>
Surround Material	<b>POLYCOTTON</b>
Xmax	<b>4.3 mm (0.17 in)</b> The Xmax is calculated as: $(Hvc - Hg)/2 + Hg/4$ . Hvc is the voice coil height and Hg the gap height.
Xmech	<b>8.3 mm (0.33 in)</b> The Xmech is calculated as: $(Hvc - Hg)/2 + (Hg-2)$ . Hvc is the voice coil height and Hg the gap height.
Gap Height	<b>8 mm (0.31 in)</b>
Voice Coil Winding Height	<b>12.6 mm (0.5 in)</b>
Driver Displacement Volume	<b>1.9 l (0.067 ft³)</b>
Recommended Enclosure	<b>59.8 l (2.112 ft³)</b>
Recommended Tuning	<b>55 Hz</b>

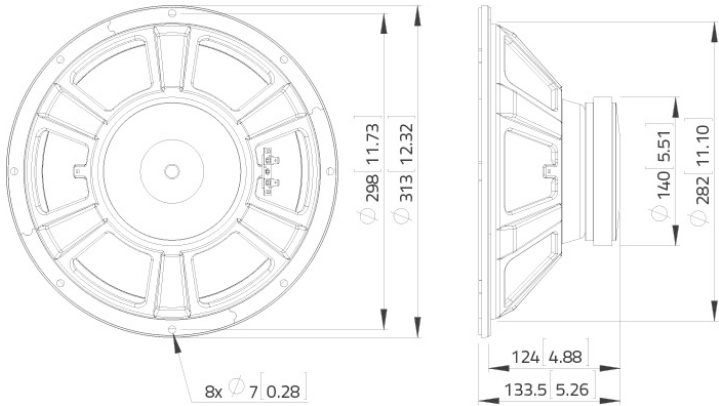
### SMALL SIGNAL PARAMETERS

Thiele-Small parameters are measured after preconditioning: a) at 20°C- 22°C, 50% humidity for 2 hours; b) by Klippel LSI measurement.

DC Resistance (Re)	<b>5.2 ohm</b>
Diaphragm Area (Sd)	<b>531 cm² (82.305 in²)</b>

Resonance Frequency (Fs)	51 Hz
Moving Mass (Mms)	44.8 g (1.58 oz)
Compliance (Cms)	0.222 mm/N
Force Factor (BxL)	12.81 N/A
Mechanical Q-Factor (Qms)	4.02
Electrical Q-Factor (Qes)	0.45
Total Q-Factor (Qts)	0.41
Equivalent Air Volume (Vas)	88.39 l (3.121 ft³)
Voice Coil Inductance (Le)	0.53 mH
Reference Efficiency (Eta 0)	2.42 %
Efficiency Bandwidth Product (EBP)	113 Hz

## DIMENSIONS



## SHIPPING INFORMATION

Net Weight	3.5 kg (7.716 lb)
Multipack Quantity	1
Multipack size W x D x H	365 mm x 365 mm x 175 mm (14.4 in x 14.4 in x 6.9 in)
Multipack Weight	4.9 kg (10.8 lb)

