

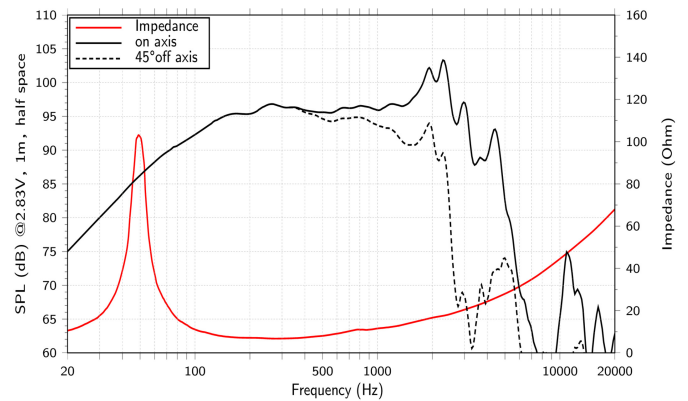
WSF122.50

Lavoce

12" WOOFER

FERRITE MAGNET
STEEL BASKET DRIVER

- 2.5 INCH COPPER VOICE COIL
- 97,5 dB/SPL SENSITIVITY
- 500 WATT PROGRAM POWER HANDLING
- FEM OPTIMIZED MOTOR AND SUSPENSIONS
- RESONANCE FREE AND HEAVY DUTY BASKET DESIGN
- DESIGNED TO MEET IP55 REQUIREMENTS (WHEN INSTALLED AS SPECIFIED)



GENERAL SPECIFICATIONS

Nominal Diameter	300 mm (12 in)
Nominal Impedance	8 ohm
Minimum Impedance	6.6 ohm
Program Power	500 W Program power is defined as 3 dB greater than AES Power.
AES Power Rating	250 W Tested for two hours using a continuous, band-limited pink noise signal as per AES 2-1984 Rev. 2003. Loudspeaker tested in free air.
Sensitivity	97.5 dB From T/S parameters, measured with Klippel DA LPM module.
Frequency Range	50 ÷ 3000 Hz
Voice Coil Diameter	65 mm (2.5 in)
Chassis Material	STEEL
Magnet Material	FERRITE
Magnet Dimensions OD x ID x h	160 x 70 x 20 mm (6.3 x 2.76 x 0.79 in)
Coil Material	COPPER
Former Material	GLASS FIBER
Cone Material	WATER PROOF TREATED PAPER + FRONT SIDE TREATMENT
Surround Material	POLYCOTTON
Xmax	4.7 mm (0.19 in) The Xmax is calculated as: $(Hvc - Hg)/2 + Hg/4$. Hvc is the voice coil height and Hg the gap height.
Xmech	8.8 mm (0.35 in) The Xmech is calculated as: $(Hvc - Hg)/2 + (Hg-2)$. Hvc is the voice coil height and Hg the gap height.
Gap Height	8.2 mm (0.32 in)
Voice Coil Winding Height	13.4 mm (0.53 in)
Driver Displacement Volume	2 l (0.071 ft³)
Recommended Enclosure	46.7 l (1.649 ft³)
Recommended Tuning	55 Hz

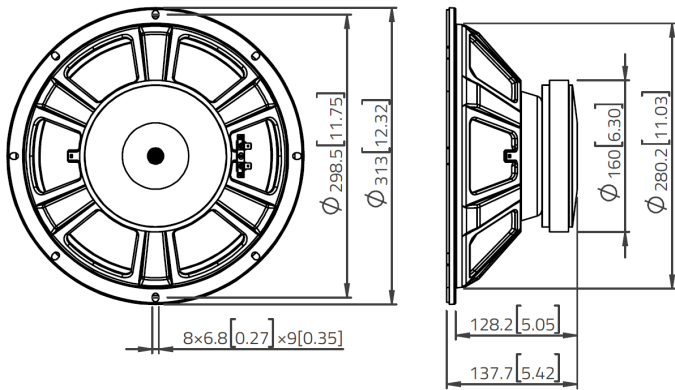
SMALL SIGNAL PARAMETERS

Thiele-Small parameters are measured after preconditioning: a) at 20°C- 22°C, 50% humidity for 2 hours; b) by Klippel LSI measurement.

DC Resistance (Re)	5.6 ohm
Diaphragm Area (Sd)	531 cm² (82.305 in²)

Resonance Frequency (Fs)	49 Hz
Moving Mass (Mms)	59.5 g (2.099 oz)
Compliance (Cms)	0.176 mm/N
Force Factor (BxL)	17.2 N/A
Mechanical Q-Factor (Qms)	6.64
Electrical Q-Factor (Qes)	0.35
Total Q-Factor (Qts)	0.33
Equivalent Air Volume (Vas)	70.23 l (2.48 ft ³)
Voice Coil Inductance (Le)	0.82 mH
Reference Efficiency (Eta 0)	2.31 %
Efficiency Bandwidth Product (EBP)	140 Hz

DIMENSIONS



SHIPPING INFORMATION

Net Weight	4.7 kg (10.362 lb)
Multipack Quantity	1
Multipack size W x D x H	365 mm x 365 mm x 185 mm (14.4 in x 14.4 in x 7.3 in)
Multipack Weight	6 kg (13.23 lb)

REPAIR KITS

LF Repair Kit	VRK11120
---------------	----------

