

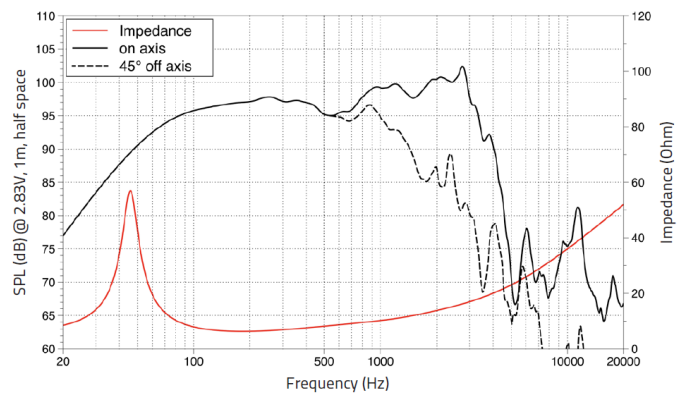
WSF152.50

Lavoce

15" WOOFER

FERRITE MAGNET
STEEL BASKET DRIVER

- 2.5 INCH COPPER VOICE COIL
- 97,5 dB/SPL SENSITIVITY
- 500 WATT PROGRAM POWER HANDLING
- FEM OPTIMIZED MOTOR AND SUSPENSIONS
- RESONANCE FREE AND HEAVY DUTY BASKET DESIGN
- TRIPLE ROLL SURROUND



GENERAL SPECIFICATIONS

Nominal Diameter	380 mm (15 in)
Nominal Impedance	8 ohm
Minimum Impedance	6.3 ohm
Program Power	500 W Program power is defined as 3 dB greater than AES Power.
AES Power Rating	250 W Tested for two hours using a continuous, band-limited pink noise signal as per AES 2-1984 Rev. 2003. Loudspeaker tested in free air.
Sensitivity	97.5 dB From T/S parameters, measured with Klippel DA LPM module.
Frequency Range	45 ÷ 3000 Hz
Voice Coil Diameter	65 mm (2.5 in)
Chassis Material	STEEL
Magnet Material	FERRITE
Magnet Dimensions OD x ID x h	160 x 70 x 20 mm (6.3 x 2.76 x 0.79 in)
Coil Material	COPPER
Former Material	GLASS FIBER
Cone Material	WATER RESISTANT TREATED PAPER + WATER PROOF FRONT SIDES TREATMENT
Surround Material	POLYCOTTON
Xmax	4.7 mm (0.19 in) The Xmax is calculated as: $(Hvc - Hg)/2 + Hg/4$. Hvc is the voice coil height and Hg the gap height.
Xmech	8.8 mm (0.35 in) The Xmech is calculated as: $(Hvc - Hg)/2 + (Hg-2)$. Hvc is the voice coil height and Hg the gap height.
Gap Height	8.2 mm (0.32 in)
Voice Coil Winding Height	13.4 mm (0.53 in)
Driver Displacement Volume	3.8 l (0.134 ft³)
Recommended Enclosure	86.3 l (3.048 ft³)
Recommended Tuning	50 Hz

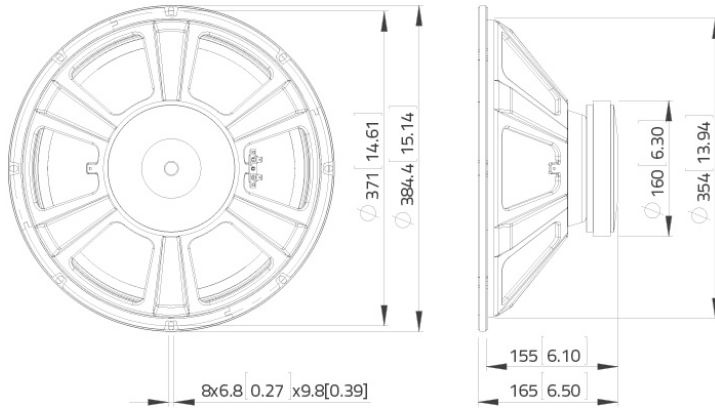
SMALL SIGNAL PARAMETERS

Thiele-Small parameters are measured after preconditioning: a) at 20°C- 22°C, 50% humidity for 2 hours; b) by Klippel LSI measurement.

DC Resistance (Re)	5.6 ohm
Diaphragm Area (Sd)	855 cm² (132.525 in²)

Resonance Frequency (Fs)	46 Hz
Moving Mass (Mms)	90.3 g (3.185 oz)
Compliance (Cms)	0.133 mm/N
Force Factor (BxL)	16.16 N/A
Mechanical Q-Factor (Qms)	5.12
Electrical Q-Factor (Qes)	0.56
Total Q-Factor (Qts)	0.5
Equivalent Air Volume (Vas)	137.9 l (4.87 ft³)
Voice Coil Inductance (Le)	0.77 mH
Reference Efficiency (Eta 0)	2.29 %
Efficiency Bandwidth Product (EBP)	82 Hz

DIMENSIONS



SHIPPING INFORMATION

Net Weight	5.4 kg (11.905 lb)
Multipack Quantity	1
Multipack size W x D x H	445 mm x 445 mm x 210 mm (17.5 in x 17.5 in x 8.3 in)
Multipack Weight	7.6 kg (16.76 lb)

REPAIR KITS

LF Repair Kit	VRK11150
---------------	----------

