

WSF102.00

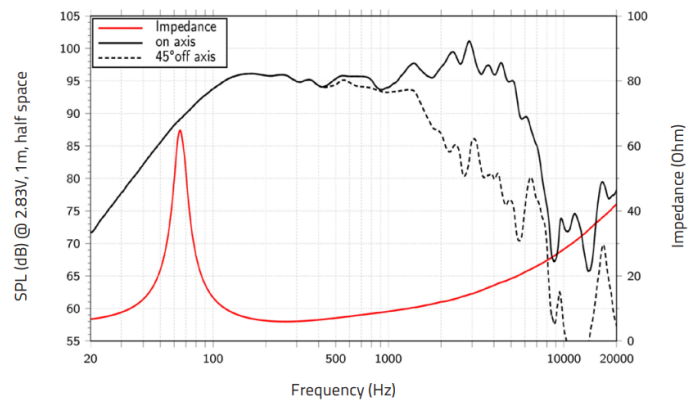
Lavoce

10" WOOFER

FERRITE MAGNET
STEEL BASKET DRIVER



- 2 INCH CCAW VOICE COIL
- 97 dB/SPL SENSITIVITY
- 350 WATT PROGRAM POWER HANDLING
- FEM OPTIMIZED MOTOR AND SUSPENSIONS
- RESONANCE FREE AND HEAVY DUTY BASKET DESIGN



GENERAL SPECIFICATIONS

Nominal Diameter	250 mm (10 in)
Nominal Impedance	8 ohm
Minimum Impedance	5.9 ohm
Program Power	350 W Program power is defined as 3 dB greater than AES Power.
AES Power Rating	175 W Tested for two hours using a continuous, band-limited pink noise signal as per AES 2-1984 Rev. 2003. Loudspeaker tested in free air.
Sensitivity	97 dB From T/S parameters, measured with Klippel DA LPM module.
Frequency Range	60 ÷ 4000 Hz
Voice Coil Diameter	51 mm (2 in)
Chassis Material	STEEL
Magnet Material	FERRITE
Magnet Dimensions OD x ID x h	140 x 60 x 17 mm (5.51 x 2.36 x 0.67 in)
Coil Material	CCA W
Former Material	GLASS FIBER
Cone Material	Water Proof Treated Paper + Water Proof Front Side Treatment
Surround Material	POLYCOTTON
Xmax	5.2 mm (0.2 in) The Xmax is calculated as: $(Hvc - Hg)/2 + Hg/4$. Hvc is the voice coil height and Hg the gap height.
Xmech	9.4 mm (0.37 in) The Xmech is calculated as: $(Hvc - Hg)/2 + (Hg-2)$. Hvc is the voice coil height and Hg the gap height.
Gap Height	8.2 mm (0.32 in)
Voice Coil Winding Height	14.6 mm (0.57 in)
Driver Displacement Volume	1.2 l (0.042 ft³)
Recommended Enclosure	25.7 l (0.908 ft³)
Recommended Tuning	70 Hz

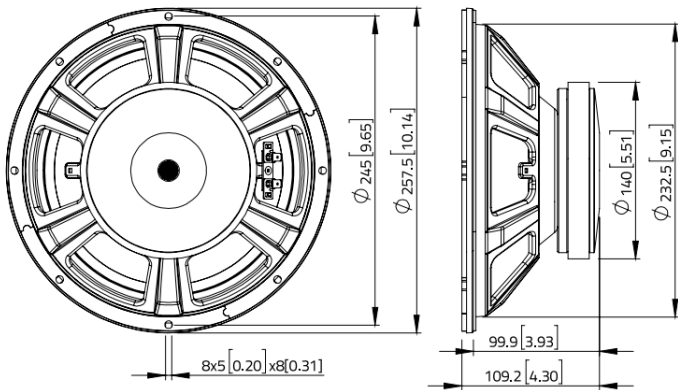
SMALL SIGNAL PARAMETERS

Thiele-Small parameters are measured after preconditioning: a) at 20°C- 22°C, 50% humidity for 2 hours; b) by Klippel LSI measurement.

DC Resistance (Re)	5.2 ohm
Diaphragm Area (Sd)	350 cm² (54.25 in²)

Resonance Frequency (Fs)	65 Hz
Moving Mass (Mms)	30.4 g (1.072 oz)
Compliance (Cms)	0.196 mm/N
Force Factor (BxL)	11.62 N/A
Mechanical Q-Factor (Qms)	5.73
Electrical Q-Factor (Qes)	0.48
Total Q-Factor (Qts)	0.45
Equivalent Air Volume (Vas)	34.03 l (1.202 ft³)
Voice Coil Inductance (Le)	0.5 mH
Reference Efficiency (Eta 0)	0.0188 %
Efficiency Bandwidth Product (EBP)	135 Hz

DIMENSIONS



SHIPPING INFORMATION

Net Weight	3.2 kg (7.055 lb)
Multipack Quantity	1
Multipack size W x D x H	300 mm x 300 mm x 150 mm (11.8 in x 11.8 in x 5.9 in)
Multipack Weight	4.1 kg (9.04 lb)

